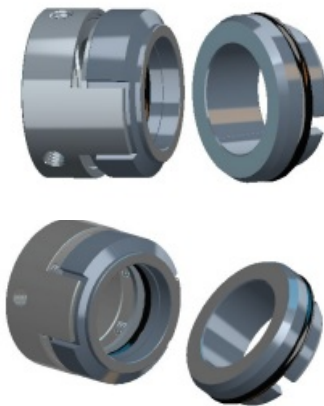


结构特点 Design features

- 内装、单端面、波簧(US3)、多弹簧(UM3)、非平衡型、传动套传动结构, 任意旋向, 结构紧凑, 安装方便。
- 安装尺寸符合ISO3069、DIN24960和GB6556标准。
- 橡胶O形圈结构, 推进型密封;
- Internally mounted, single face, Super-Sinus spring(US3), multiple spring(UM3), unbalanced structure and driven by brace ear and claw transmission, compact construction, any rotation direction it can be mounted conveniently.
- Conform to the standard of DIN24960, ISO3069 and GB6556.
- O-ring pusher type seal.

材料 Materials(to DIN24960)

- 旋转环 Rotary Ring: U1、U2、Q1、V1、U12、U22、Q12、Q22
- 静止环 Stationary Ring: A、B、U1、U2、Q1、Q2、U12、U22、Q12、Q22
- 辅助密封 Auxiliary Seal: P、E、V、M1
- 弹簧及其他结构件材料 Spring and Other Parts: F、G、Y

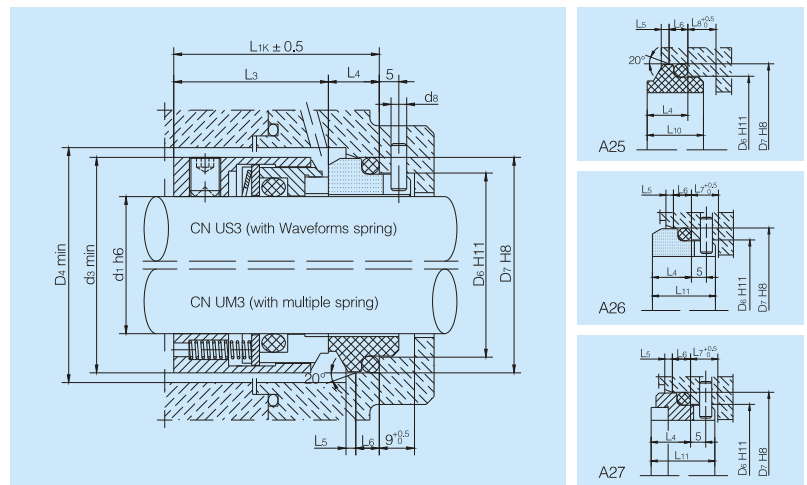


适用范围 Operating limits

- 压力 Pressure: 真空 Vacuum ~1.2MPa
- 温度 Temperature: -40~200°C
- 线速度 Speeds: ≤20m/sec
- 粘度 Viscosity: ≤1.0Pa.s(1000cp)软对硬(Soft VS Hard) ≤3.5Pa.s(3500cp)硬对硬(Hard VS Hard)

介质 Medium

油类、水、盐、非结晶性溶剂、有机溶剂及其它弱腐蚀性溶液。
Oil, water, salt, noncrystalline agent, organic solvents and other weak corrosive fluid.



型号 Model	d1	d3	D4	D6	D7	ds	L1k	L3	L4	L5	L6	L7	L8	L10	L11
18	18	32	34	27	33	3	37.5	27.5	10.0	2.0	5	9	4.5	11.5	16.5
20	20	34	36	29	35	3	37.5	27.5	10.0	2.0	5	9	4.5	11.5	16.5
22	22	36	38	31	37	3	37.5	27.5	10.0	2.0	5	9	4.5	11.5	16.5
24	24	38	40	33	39	3	40.0	30.0	10.0	2.0	5	9	4.5	11.5	16.5
25	25	39	41	34	40	3	40.0	30.0	10.0	2.0	5	9	4.5	11.5	16.5
28	28	42	44	37	43	3	42.5	32.5	10.0	2.0	5	9	4.5	11.5	16.5
30	30	44	46	39	45	3	42.5	32.5	10.0	2.0	5	9	4.5	11.5	16.5
32	32	46	48	42	48	3	42.5	32.5	10.0	2.0	5	9	4.5	11.5	16.5
33	33	47	49	42	48	3	42.5	32.5	10.0	2.0	5	9	4.5	11.5	16.5
35	35	49	51	44	50	3	42.5	32.5	10.0	2.0	5	9	4.5	11.5	16.5
38	38	54	58	49	56	4	45.0	34.0	11.0	2.0	6	9	5.0	13.0	17.5
40	40	56	60	51	58	4	45.0	34.0	11.0	2.0	6	9	5.0	13.0	17.5
43	43	59	63	54	61	4	45.0	34.0	11.0	2.0	6	9	5.0	13.0	17.5
45	45	61	65	56	63	4	45.0	34.0	11.0	2.0	6	9	5.0	13.0	17.5
48	48	64	68	59	66	4	45.0	34.0	11.0	2.0	6	9	5.0	13.0	17.5
50	50	66	70	62	70	4	47.5	34.5	13.0	2.5	6	9	5.0	15.0	19.5
53	53	69	73	65	73	4	47.5	34.5	13.0	2.5	6	9	5.0	15.0	19.5
55	55	71	75	67	75	4	47.5	34.5	13.0	2.5	6	9	5.0	15.0	19.5
58	58	78	83	70	78	4	52.5	39.5	13.0	2.5	6	9	5.0	15.0	19.5
60	60	80	85	72	80	4	52.5	39.5	13.0	2.5	6	9	5.0	15.0	19.5
63	63	83	88	75	83	4	52.5	39.5	13.0	2.5	6	9	5.0	15.0	19.5
65	65	85	90	77	85	4	52.5	39.5	13.0	2.5	6	9	5.0	15.0	19.5
68	68	88	93	81	90	4	52.5	37.5	15.0	2.5	7	9	5.0	17.0	21.5
70	70	90	95	83	92	4	60.0	45.0	15.0	2.5	7	9	5.0	17.0	21.5
75	75	95	104	88	97	4	60.0	45.0	15.0	2.5	7	9	5.0	17.0	21.5
80	80	104	109	95	105	4	60.0	44.5	15.5	3.0	7	9	5.0	17.5	22.0
85	85	109	114	100	110	4	60.0	44.5	15.5	3.0	7	9	5.0	17.5	22.0
90	90	114	119	105	115	4	65.0	49.5	15.5	3.0	7	9	5.0	17.5	22.0
95	95	119	124	110	120	4	65.0	49.5	15.5	3.0	7	9	5.0	17.5	22.0
100	100	124	129	115	125	4	65.0	49.5	15.5	3.0	7	9	5.0	17.5	22.0